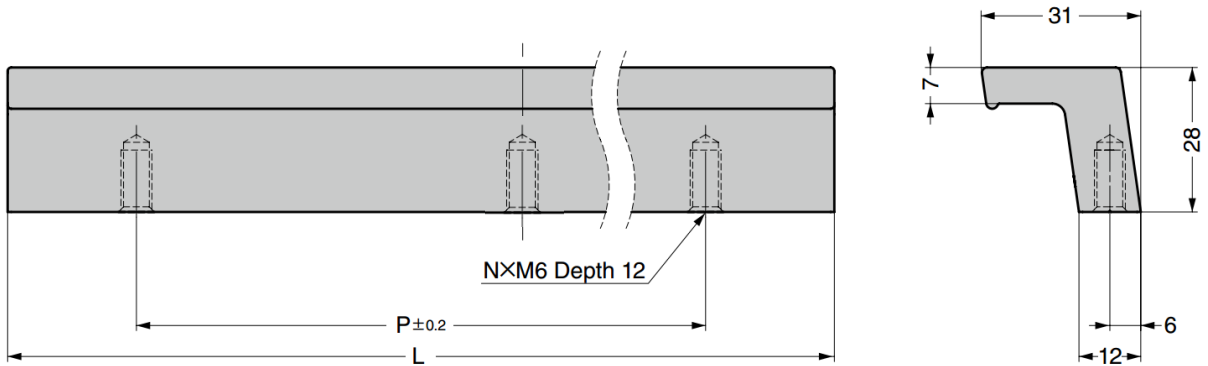
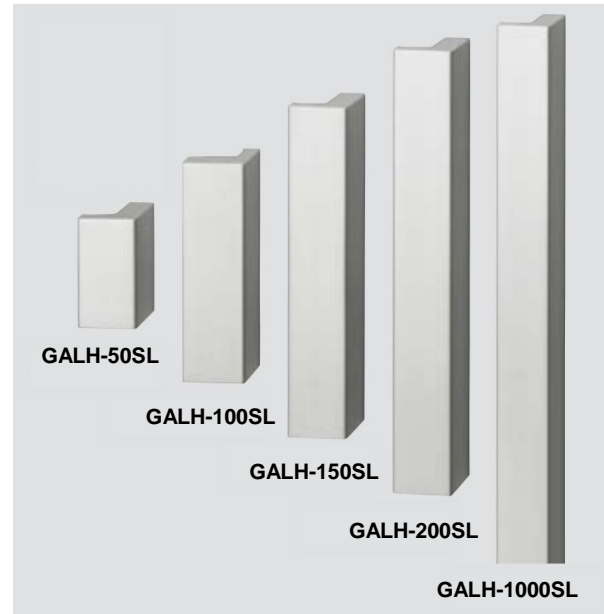
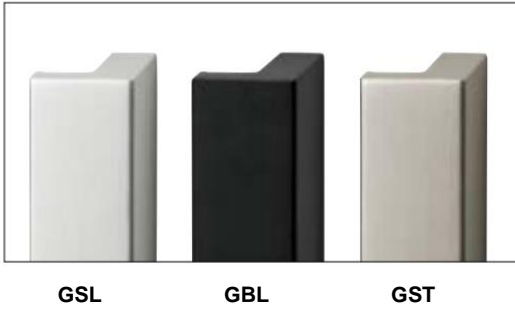


GALH Extruded Aluminium Handle Pull

Features

- Stylish in form and function
- Design innovations include anti-slip bump along the edges and angled surface to prevent dust accumulation



Part No.	Material	Finish	L	P	N	Load Capacity	
GALH-50SL	Aluminium Alloy	Matte Silver Anodised	50	30	2	500 N	51 kg
GALH-50BL		Matte Black Anodised					
GALH-50ST		Satin and Stainless Steel Anodised					
GALH-100SL		Matte Silver Anodised	100	60			
GALH-100BL		Matte Black Anodised					
GALH-100ST		Satin and Stainless Steel Anodised					
GALH-150SL		Matte Silver Anodised	150	100			
GALH-150BL		Matte Black Anodised					
GALH-150ST		Satin and Stainless Steel Anodised					
GALH-200SL		Matte Silver Anodised	200	75	3		
GALH-200BL		Matte Black Anodised					
GALH-200ST		Satin and Stainless Steel Anodised					
GALH-1000SL		Matte Silver Anodised	1000	150	7		
GALH-1000BL		Matte Black Anodised					
GALH-1000ST		Satin and Stainless Steel Anodised					